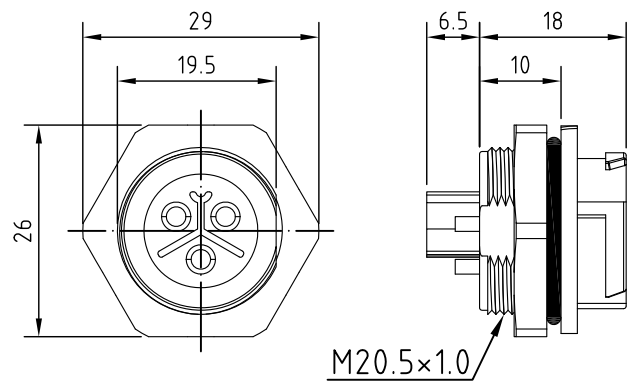
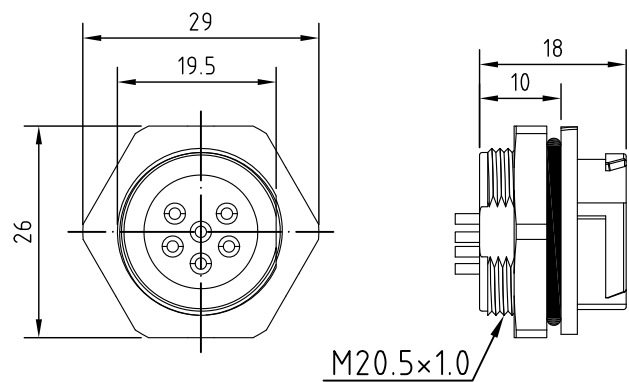
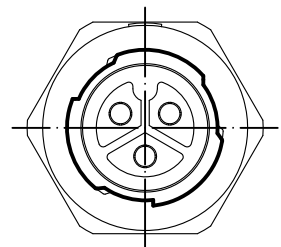


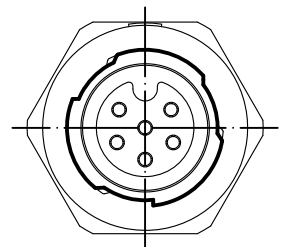
Recommended Panel cut-out



PIN NO. 2-3P



PIN NO. 4-7P



REV.	Description	Date
1	panel cut-out dimension revise	2020/9/16
2	add 7P arrangement	2023/9/21

Specification of connector

- Locking system : Quick Push Lock
- Termination : solder
- Shell protection : IP68
- Contact resistance : <10mΩ
- Insulation resistance : >10MΩ

RoHS  
TOLERANCE X±0.5 .X±0.3

4	Nut	PA
3	O ring	Rubber
2	Pin	Brass/Gold plated
1	Body	PA
Item	Description	Material&Plating

CONTACT ARRANGEMENT FRONT VIEW (FEMALE)						
	02P	03P	04P	05P	06P	07P(2+5)
Rated voltage	300V		250V	60V		120V
Rated current	20A		10A	10A		25A/5A



**Unicable Co., Ltd. 國陽電業有限公司**  
5F., No. 111-33, Sec. 4, San Ho Road., San Chung Dist., New Taipei City, Taiwan  
<http://www.unicable.com.tw> Tel:+886-2-2286-2122 Fax:+886-2-2286-1010

PART NO.	3103C-A14F21xxx-01/UT-SD365M2-XP		
DATE	2023/9/21	UNIT	MM
DWN	GINA	REV.	2
CHK			

ITEM	Type J(J3): female conn. 2-7P
------	-------------------------------